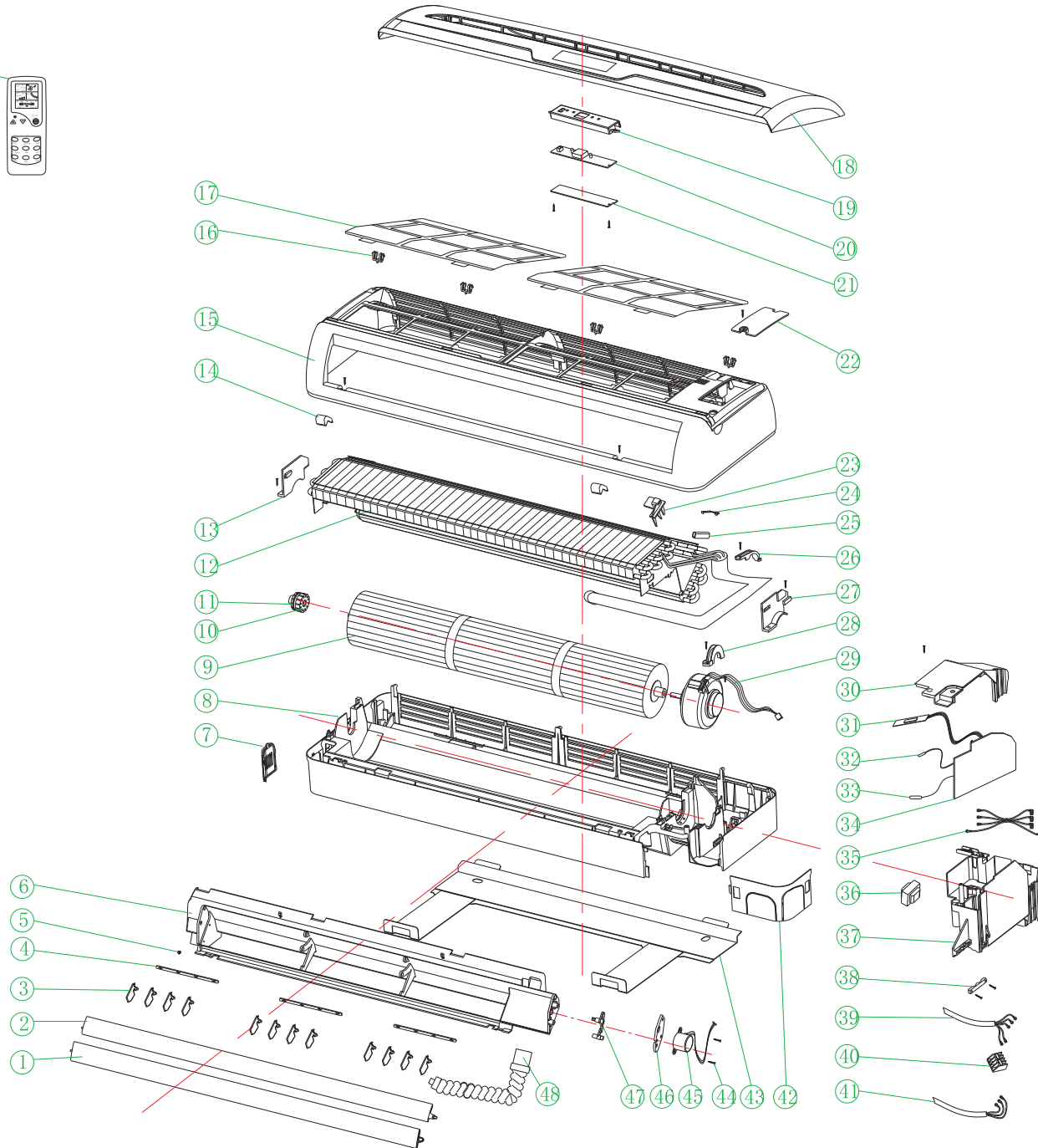


49



49	Remote Control	1
48	Thermal insulation pipe	1
47	Crank connecting rod	1
46	Motor fixed plate	1
45	Step motor	1
44	Screw	1
43	wall-mounting frame	1
42	Right angle plate	1
41	Power Cord	1
40	Terminal Board	1
39	Connecting Cable	1
38	Wire Clip	1
37	Electric Box	1
36	Transformer	1
35	Connecting Wire	1
34	Electric control plate	1
33	Room Temp. Sensor	1
32	Tube Temp. Sensor	1
31	Display lamp panel	1
30	Electric box cover	1
29	Motor	1
28	Motor platen	1
27	Evaporator right fixed plate	1
26	Pipe Clamp	1
25	Copper pipe of sensor	1
24	Insert Block	1
23	Room temp. Sensor holder	1
22	Middle frame coverplate	1
21	Display box cover	1
20	Display	1
19	Display box	1
18	Front Panel	1
17	Air Filter	2
16	Front Clip	4
15	Middle frame	1
14	Screw cover	2
13	Evaporator left fixed plate	1
12	Evaporator assembly	1
11	Ring of cross flow fan bearing	1
10	Cross flow fan bearing	1
9	Cross flow fan	1
8	Base	1
7	Left angle plate	1
6	Outlet part	1
5	Guide Louver Bearing	6
4	Swing louver connecting lever	3
3	Swing louver	12
2	Up Louver	2
1	Down Louver	2
Serial Number	Part Name	Quantity