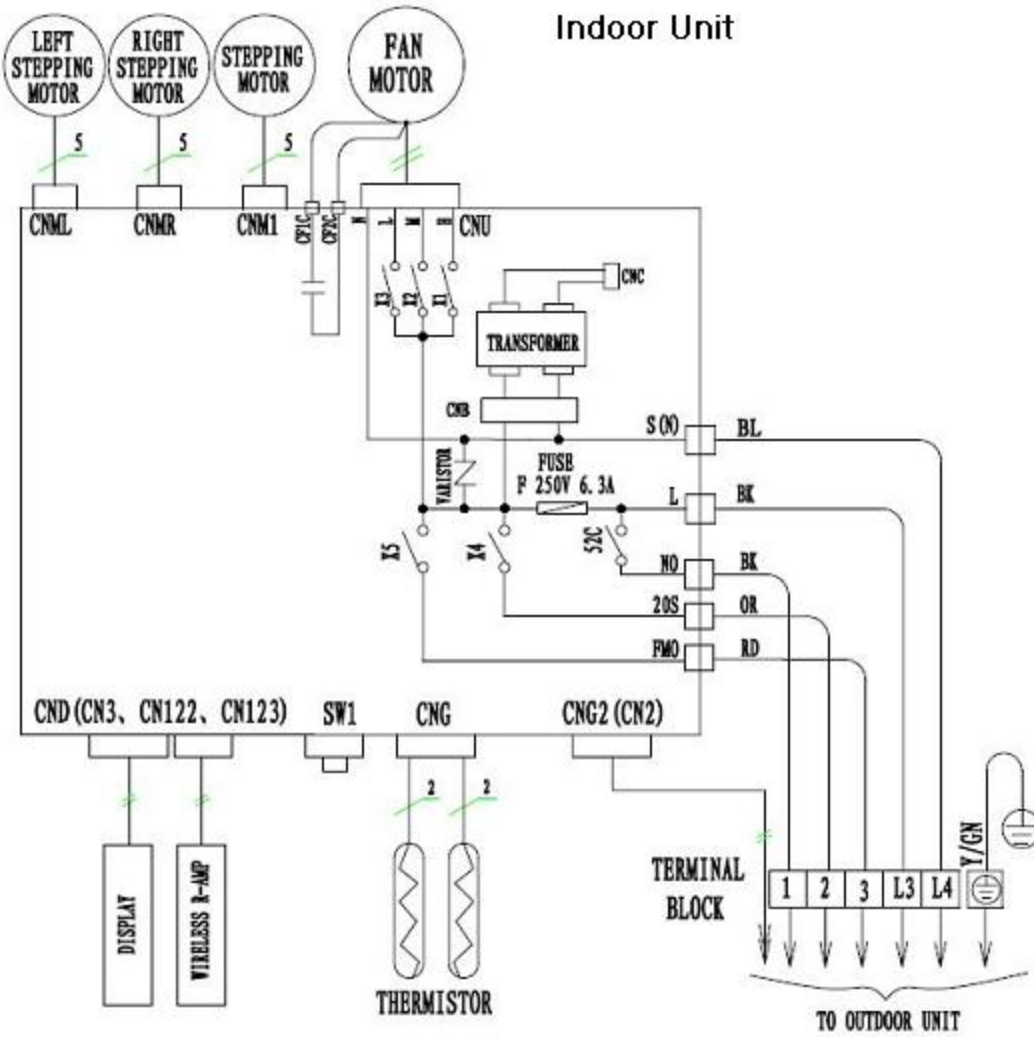


Circuit Diagram

18K, 24K Model – 208 ~ 230V/60Hz



Outdoor

