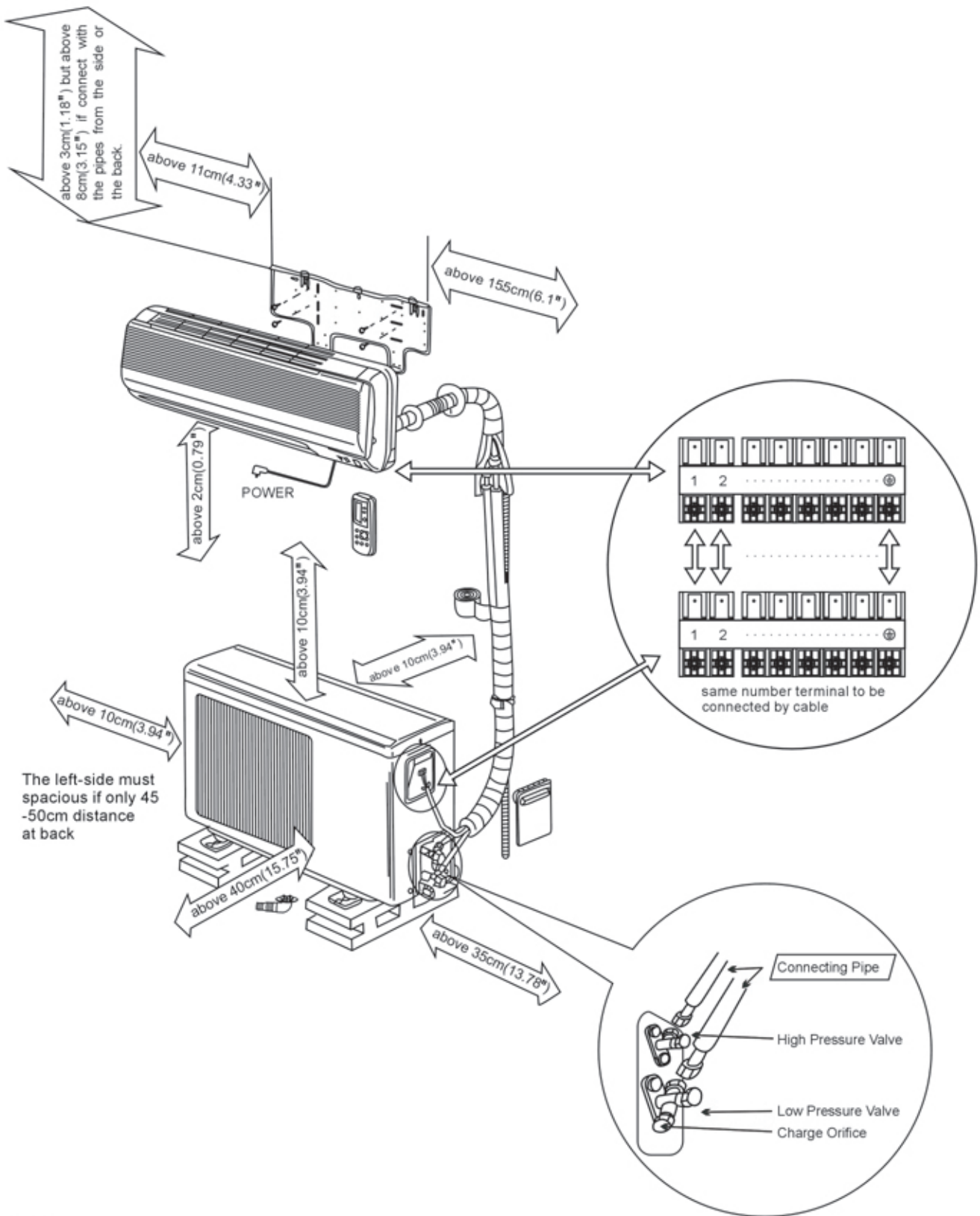


Installation Master Plan



NOTE:

- 1) Connect the connective copper pipe with indoor unit and outdoor unit.
- 2) Do not open the high valve and low valve.
- 3) Connect the vacuum pump to charge orifice of low valve.
- 4) Vacuum the air from connective copper pipe and indoor unit.
- 5) Open high valve.
- 6) Open low valve.